



Premium Weatherstripping Inc

Dependable Products. Dedicated Experts.

2016 WEATHERSTRIP CATALOG

June 16, 2016 - Rev 0.0

DISCLAIMER: The information contained within this catalog and the functions offered are intended to provide information about products available for purchase from PWS ("Premium Weatherstripping Inc"). All reasonable efforts have been made to ensure the accuracy of the information. However, PWS cannot be held responsible for any errors or unexpected un-fulfillment of shipments. PWS does not warrant the accuracy and reserves the right to make changes to the catalog and its functions at any time without notice. Except where otherwise noted or superseded by process of law, PWS accepts no responsibility or liability for any losses or damages of any kind arising out of the use of this catalog or any of its related functions.

E: sales@pws-group.ca **T:** (604) 468-6300 **F:** (604) 468-6363 **W:** www.pws-group.ca

140 Glacier St., Coquitlam, BC, Canada V3K 5Z6



www.PWS-group.ca

Dependable Products. Dedicated Experts.

WEATHERSTRIPPING

GENERAL INFORMATION	
TYPES	KERF MOUNT, SURFACE MOUNT, SELF ADHESIVE GASKET
ALUMINUM ALLOY (for SURFACE MOUNT)	EXTRUDED 6063-T5
SIZE	VARIOUS OPTIONS. SEE INDIVIDUAL PRODUCT FOR DETAILS.
COLOR	VARIOUS OPTIONS. SEE INDIVIDUAL PRODUCT FOR DETAILS.
RATINGS	INDICATED NEXT TO DIAGRAM (QAI20, QAI90)
WARRANTY	1 YEAR



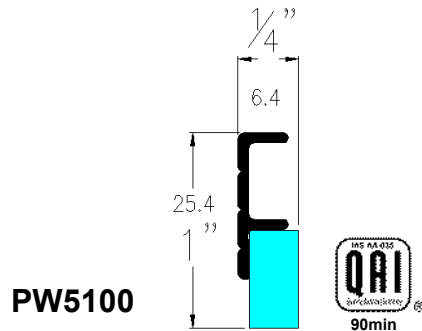
www.PWS-group.ca

Dependable Products. Dedicated Experts.

WEATHERSTRIPPING

JAMB MOUNTED

ALUMINUM / FIXED NEOPRENE

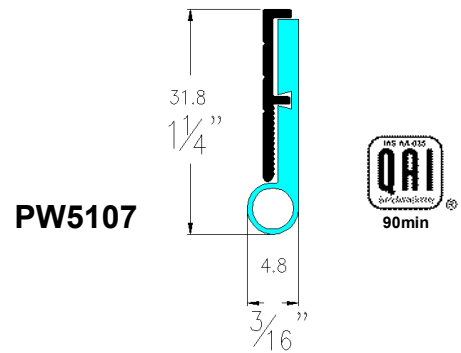


PW5100

AVAILABLE FINISHES
C, Z

AVAILABLE LENGTHS
36", 72", 84"
17' SET, 20' SET

ALUMINUM / FIXED SYNPRENE

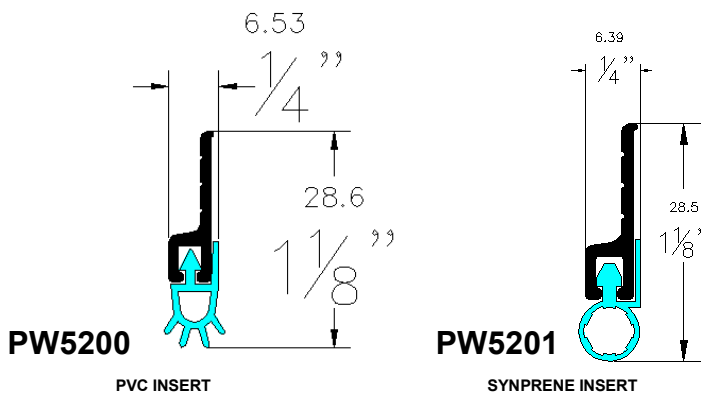


PW5107

AVAILABLE FINISHES
C

AVAILABLE LENGTHS
36", 72", 84"
17' SET, 20' SET

ALUMINUM / WITH INSERT



PW5200

PVC INSERT

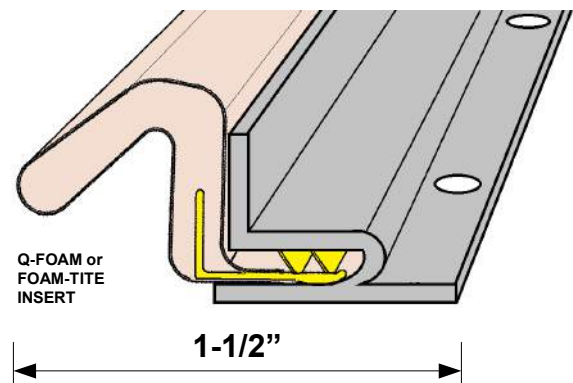
PW5201

SYNPRENE INSERT

AVAILABLE LENGTHS
36", 48", 60", 84"
17' SET, 20' SET

AVAILABLE FINISHES
C, Z

ALUMINUM / KERF INSERTED



Q-FOAM or
FOAM-TITE
INSERT

1-1/2"

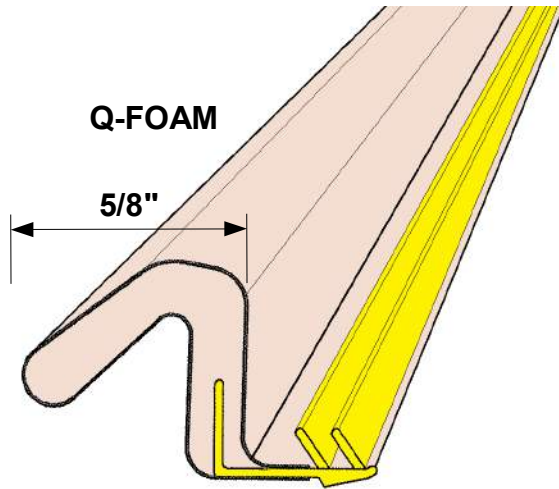
PW5050 FOAM-TITE

PW5051 Q-FOAM

AVAILABLE COLOR AND LENGTHS
BROWN ON BROWN - 16.5' SET, 17' SET, 20' SET, 36", 81", 84", 96"
BLACK ON CLEAR - 17' SET, 20' SET, 36", 84", 96", 108", 120"
WHITE ON WHITE - 16.5' SET, 17' SET, 20' SET, 36", 81", 84", 96"

FINISHES: A=MILL ALUMINUM, Z=BRONZE ANODIZED, C=CLEAR ANODIZED

KERF INSERTED

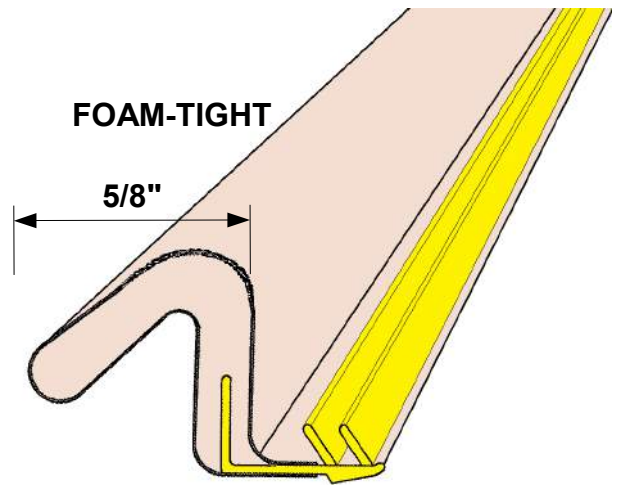


Q-FOAM

5/8"

PW5000

AVAILABLE COLOR AND LENGTHS
 WHITE - 37", 82", 97", 500' ROLL
 BROWN - 37", 82", 97", 500' ROLL
 BLACK - 82", 97"

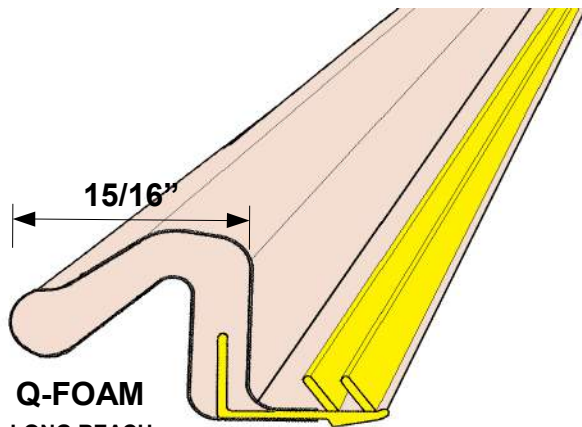


FOAM-TIGHT

5/8"

PW5005

AVAILABLE COLOR AND LENGTHS
 WHITE - 37", 82", 97", 500' ROLL
 BROWN - 37", 82", 97", 500' ROLL
 BLACK - 37", 85", 97", 500' ROLL



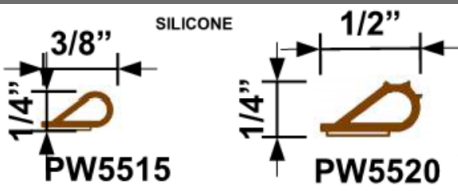
15/16"

**Q-FOAM
LONG REACH**

PW5020

AVAILABLE COLOR AND LENGTHS
 WHITE - 37", 82", 97"
 BROWN - 37", 82", 97"

SELF ADHESIVE GASKET SEAL



SILICONE

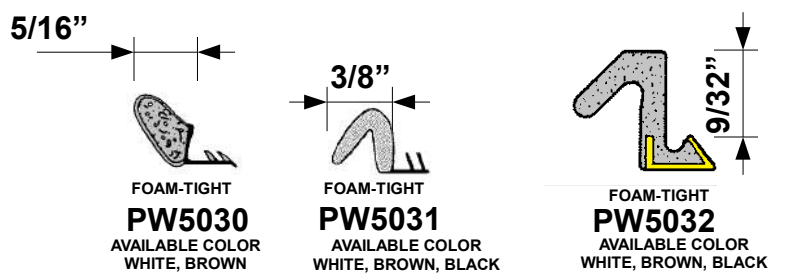
3/8"

1/2"

PW5515

PW5520
AVAILABLE COLOR
WHITE, BRONZE

WINDOW SEAL



5/16"

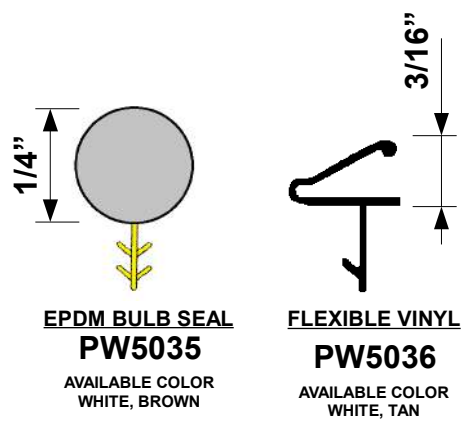
3/8"

9/32"

**FOAM-TIGHT
PW5030**
AVAILABLE COLOR
WHITE, BROWN

**FOAM-TIGHT
PW5031**
AVAILABLE COLOR
WHITE, BROWN, BLACK

**FOAM-TIGHT
PW5032**
AVAILABLE COLOR
WHITE, BROWN, BLACK



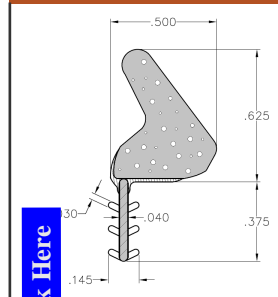
1/4"

3/16"

**EPDM BULB SEAL
PW5035**
AVAILABLE COLOR
WHITE, BROWN

**FLEXIBLE VINYL
PW5036**
AVAILABLE COLOR
WHITE, TAN

NAFS COMPLIANT



[Click Here](#)

SEE Sill Catalog
for Details