



Premium Weatherstripping Inc

Dependable Products. Dedicated Experts.

2016 SWEEPS and SHOES CATALOG

June 16, 2016 - Rev 0.0

DISCLAIMER: The information contained within this catalog and the functions offered are intended to provide information about products available for purchase from PWS ("Premium Weatherstripping Inc"). All reasonable efforts have been made to ensure the accuracy of the information. However, PWS cannot be held responsible for any errors or unexpected un-fulfillment of shipments. PWS does not warrant the accuracy and reserves the right to make changes to the catalog and its functions at any time without notice. Except where otherwise noted or superseded by process of law, PWS accepts no responsibility or liability for any losses or damages of any kind arising out of the use of this catalog or any of its related functions.

E: sales@pws-group.ca **T:** (604) 468-6300 **F:** (604) 468-6363 **W:** www.pws-group.ca

140 Glacier St., Coquitlam, BC, Canada V3K 5Z6



www.PWS-group.ca

Dependable Products. Dedicated Experts.

SHOES / SWEEPS

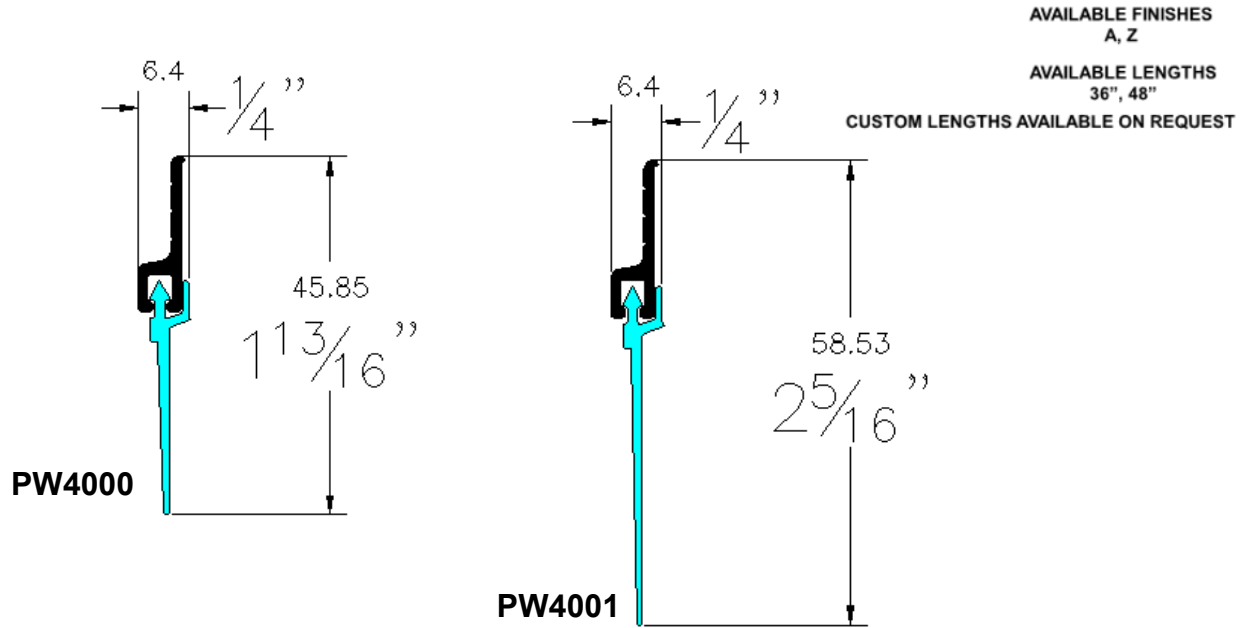
GENERAL INFORMATION for SWEEPS

ALUMINUM ALLOY	EXTRUDED 6063-T5
FINISH	MILL FINISH, CLEAR ANODIZED, BRONZE ANODIZED (SEE INDIVIDUAL PRODUCT FOR DETAILS)
INSERT TYPE	BRUSH, NEOPRENE (SEE INDIVIDUAL PRODUCT FOR DETAILS)
WARRANTY	1 YEAR

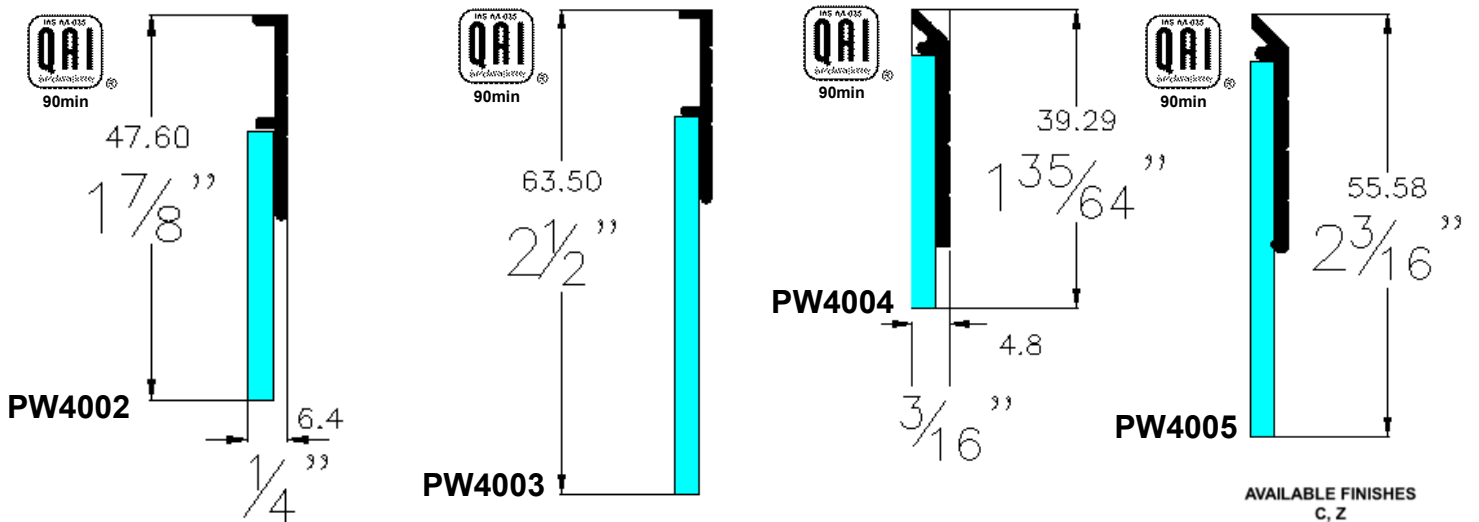
GENERAL INFORMATION for SHOES

MATERIAL	EXTRUDED ALUMINUM 6063-T5 or PVC VINYL
ALUMINUM FINISH	MILL FINISH, CLEAR ANODIZED, BRONZE ANODIZED (SEE INDIVIDUAL PRODUCT FOR DETAILS)
INSERT TYPE	BRUSH, NEOPRENE, VINYL - Some models offer REPLACABLE inserts (SEE INDIVIDUAL PRODUCT FOR DETAILS)
RATINGS	INDICATED NEXT TO DIAGRAM (QAI20, QAI90)
WARRANTY	1 YEAR

ALUMINUM / VINYL INSERT



ALUMINUM / FIXED NEOPRENE



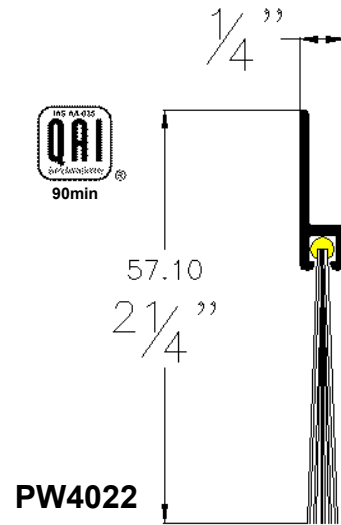
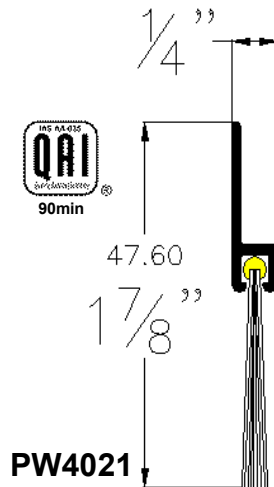
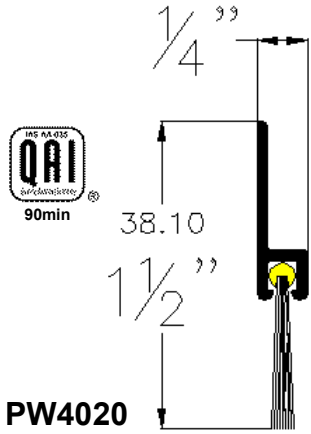
AVAILABLE FINISHES
C, Z

AVAILABLE LENGTHS
36", 48"

CUSTOM LENGTHS AVAILABLE ON REQUEST

FINISHES: A=MILL ALUMINUM, Z=BRONZE ANODIZED, C=CLEAR ANODIZED

ALUMINUM / BRUSH INSERTS

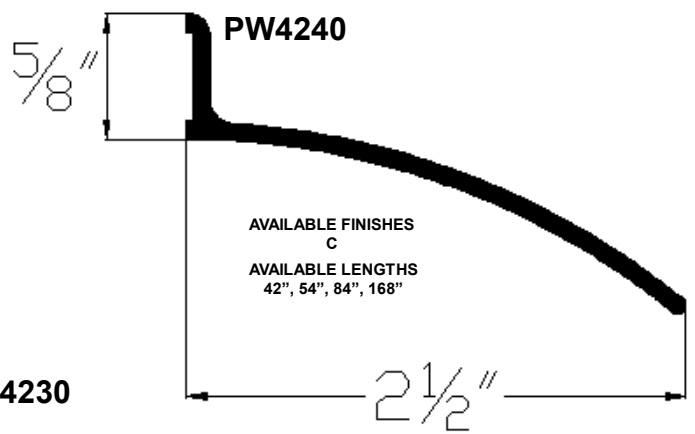
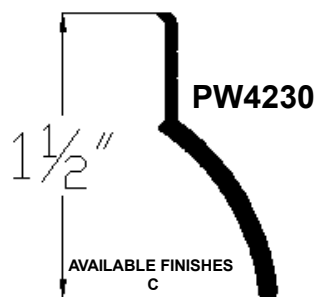
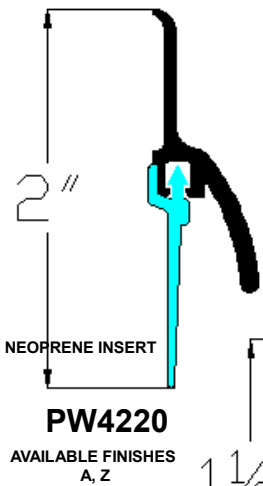
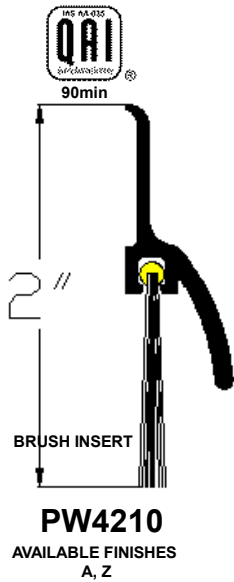


AVAILABLE FINISHES
C, Z

AVAILABLE LENGTHS
36", 48", 84", 96"

CUSTOM LENGTHS AVAILABLE ON REQUEST

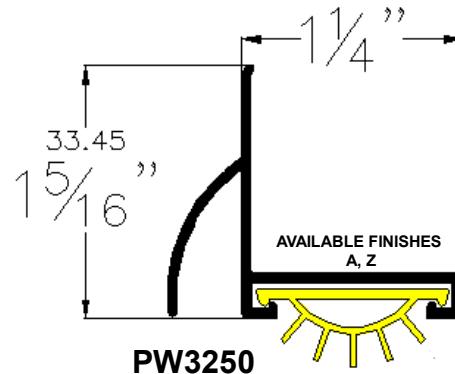
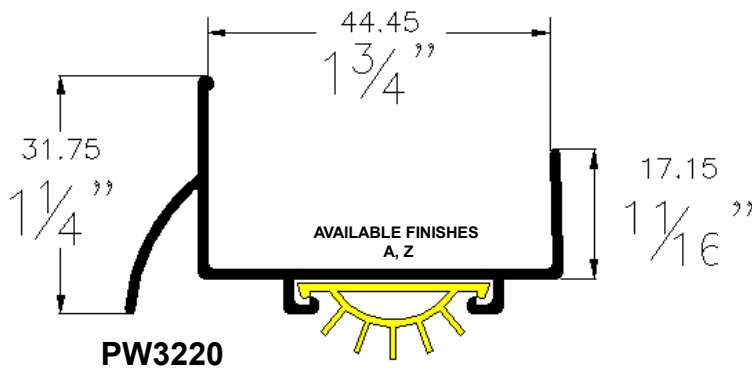
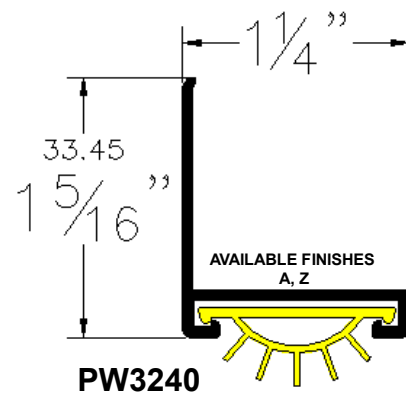
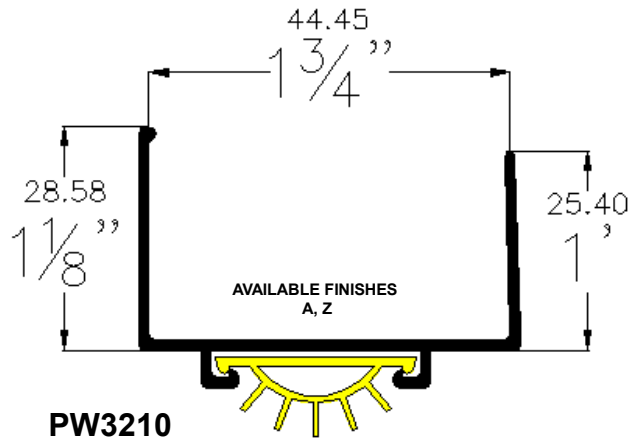
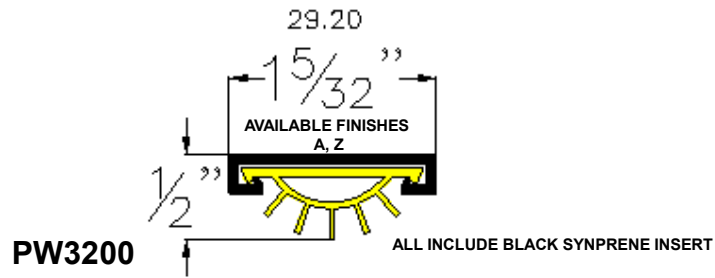
ALUMINUM / RAIN DRIPS



AVAILABLE LENGTHS
36", 48"
CUSTOM LENGTHS AVAILABLE ON REQUEST

FINISHES: A=MILL ALUMINUM, Z=BRONZE ANODIZED, C=CLEAR ANODIZED

ALUMINUM

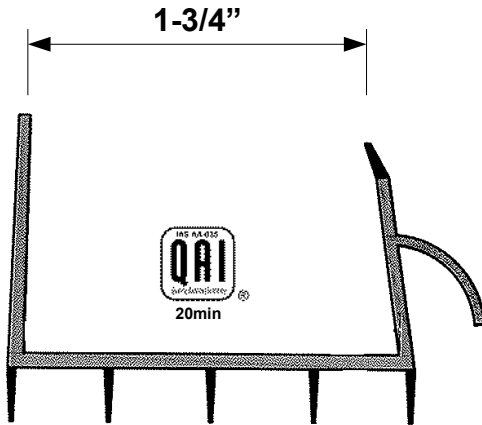


AVAILABLE LENGTHS
36", 48"

FINISHES: A=MILL ALUMINUM, Z=BRONZE ANODIZED, C=CLEAR ANODIZED

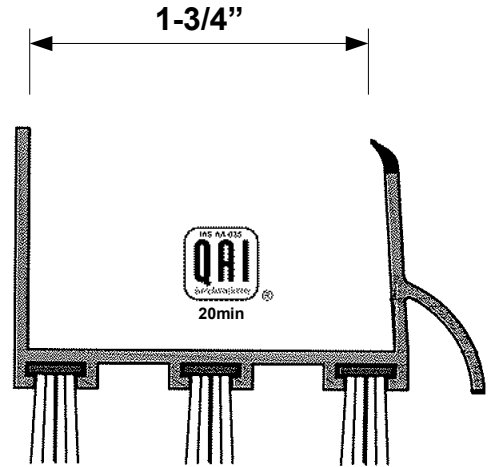
CUSTOM LENGTHS AVAILABLE ON REQUEST

VINYL



PW3010

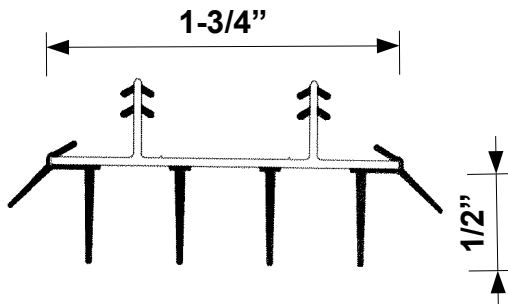
AVAILABLE COLOR AND LENGTHS
 WHITE – 30", 31-3/4", 32, 33-3/4", 34", 35-3/4", 36", 38", 48"
 BROWN – 32", 36", 38", 48"



PW3030

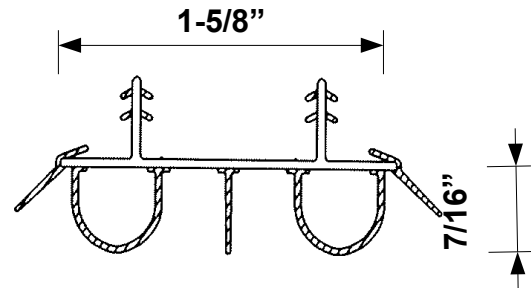
AVAILABLE COLOR AND LENGTHS
 WHITE – 31-3/4", 32, 34", 35-3/4", 36", 38", 48"
 BROWN – 32", 36", 38", 48"

KERF INSERTED



PW3080

AVAILABLE COLOR AND LENGTHS
 BROWN – 36", 48"



PW3085

AVAILABLE COLOR AND LENGTHS
 BROWN – 36", 48"