



## Premium Weatherstripping Inc

Dependable Products. Dedicated Experts.

# 2016 POCKET DOOR FRAME CATALOG

June 16, 2016 - Rev 0.0

DISCLAIMER: The information contained within this catalog and the functions offered are intended to provide information about products available for purchase from PWS ("Premium Weatherstripping Inc"). All reasonable efforts have been made to ensure the accuracy of the information. However, PWS cannot be held responsible for any errors or unexpected un-fulfillment of shipments. PWS does not warrant the accuracy and reserves the right to make changes to the catalog and its functions at any time without notice. Except where otherwise noted or superseded by process of law, PWS accepts no responsibility or liability for any losses or damages of any kind arising out of the use of this catalog or any of its related functions.

**E:** [sales@pws-group.ca](mailto:sales@pws-group.ca) **T:** (604) 468-6300 **F:** (604) 468-6363 **W:** [www.pws-group.ca](http://www.pws-group.ca)

140 Glacier St., Coquitlam, BC, Canada V3K 5Z6



www.PWS-group.ca

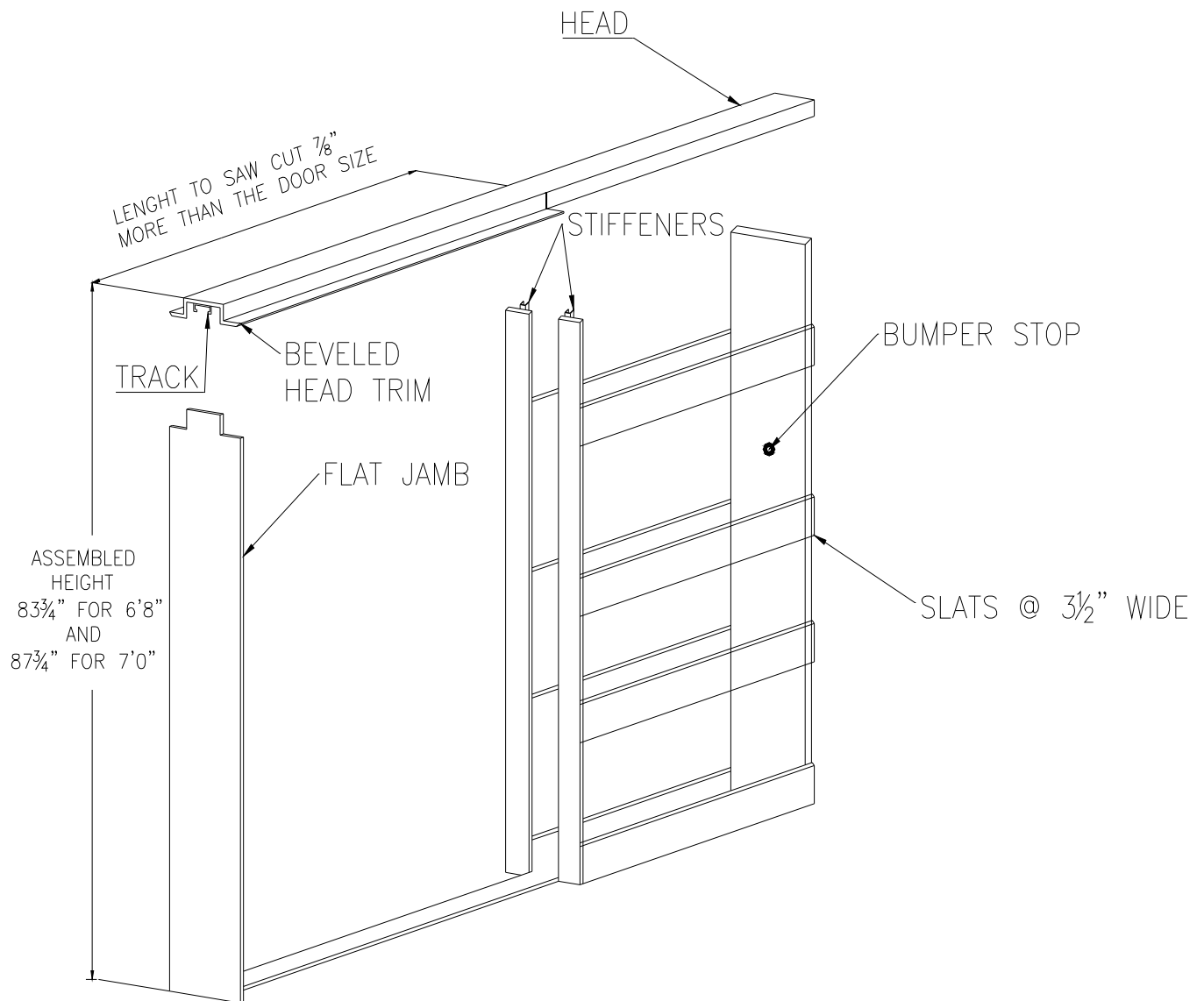
Dependable Products. Dedicated Experts.

# POCKET DOOR FRAME

For SINGLE DOORS and DOUBLE DOORS

## AVAILABLE OPTIONS:

1. **READY MADE** (For Quick and Easy Installation)
2. **Half Knock Down (HKD)** (For Secure Shipping and Reduced Storage Space)



## STANDARD SIZE FRAMES, SINGLE or DOUBLE, for 4 1/2" and 6 1/2" WALLS.

1'6" X 6'8" = 457 X 2032 MM

2'0" X 6'8" = 609 X 2032 MM

2'2" X 6'8" = 660 X 2032 MM

2'4" X 6'8" = 711 X 2032 MM

2'6" X 6'8" = 762 X 2032 MM

2'8" X 6'8" = 812 X 2032 MM

2'10" X 6'8" = 863 X 2032 MM

3'0" X 6'8" = 914 X 2032 MM

3'0" X 7'0" = 914 X 2134 MM

### FOR SINGLE POCKET DOOR FRAME

Width = (door width X 2) + 2"

Height = (door height) + 4"

### FOR DOUBLE POCKET DOOR FRAME

Width = (door width X 4) + 2"

Height = (door height) + 4"

